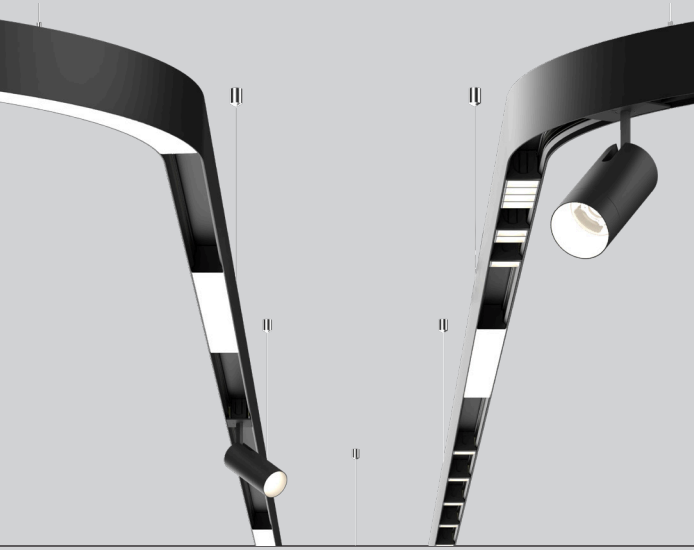


R-LINE[®]

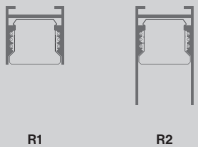
TRACK WITH UPLIGHT



5 YEAR
limited
led warranty



CHANNEL



PERFORMANCE

- Modular 48V track system
- Combine linear, curve, and track
- Patented technology for curved track

CONFIGURATIONS



MOUNTING



Indirect
Suspended

INSET OPTIONS



Catalog Number Example

RLTR-R1-PDT-BLWH-27K-C90-BW-48V-010V-2C-700LF-8W-LS-M90-02-B1

A PRODUCT

R1 Track 1" track	RLTR-R1
R2 Track 2" track	RLTR-R2

B MOUNTING

Pendant Cable	PDT
Pendant Stem <small>available Q1 2024</small>	STM
Custom Mount	XXX

custom mount, please contact XAL

C HOUSING COLOR

Black RAL9005	BL
White RAL9016	WH
Custom RAL	XX

custom RAL, please contact XAL

PENDANT HARDWARE COLOR

sub option

Black	BL
White	WH

power feed, stem & canopy cover only; AC cable & barrel mount come in silver

D UPLIGHT CCT/CRI

2700K / CRI >90	27K - C90
3000K / CRI >90	30K - C90
3500K / CRI >90	35K - C90

E UPLIGHT LENS

Opal	OP
Batwing	BW

VOLTAGE

48V low constant voltage	48V
--------------------------	-----

remote driver required (see driver cutsheet)

F DIMMING

0-10V 1% dimming	010V
------------------	------

G CIRCUIT

2 Circuit (1) circuit track, (1) circuit uplight	2C
3 Circuit (2) circuit track, (1) circuit uplight	3C

uplight is always on separate circuits

H UPLIGHT OUTPUT

350 lm/ft. 4w/ft.	350LF - 4WF
700 lm/ft. 8w/ft.	700LF - 8WF

I SHAPE/PATTERN

Linear	ST
L-Shape (90°)	LS
□-Shape rectangular shape (90°)	RS
U-Shape (90°)	US
Z-Shape (90°)	ZS
Custom Pattern	CP

custom angles and patterns, please contact XAL

J CORNERS

No Corners	*
Mitered 90°	M90
Curved Radius 18"/90°	R18
Curved Radius 24"/90°	R24
Curved Radius 36"/90°	R36

custom radius and angles, please contact XAL
*leave empty

K DIMENSIONS 1" increments only

2' 0" min. length	02
4' 0"	04
6' 0"	06
8' 0"	08
Shape / Pattern	XX
Custom	XX

custom pattern, please contact XAL

Optional Accessories

ships separately

L BLIND COVERS

Blind Cover 1" flush with R1 track	B1
Blind Cover 2" <small>available Q1 2024</small>	B2

includes field cuttable blind cover (end to end)

Other Options

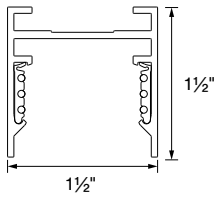
+ TRACK WITHOUT UPLIGHT

see R-Line Track cutsheet

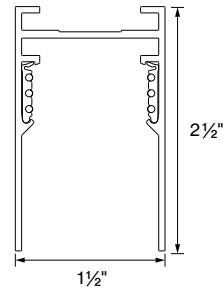
BASO
basolighting.com
xalusa.com

DIMENSIONS

R1

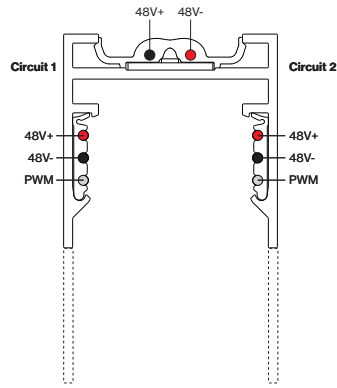


R2

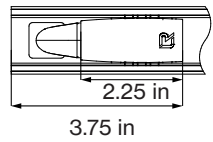


POWER TRACK CIRCUITRY

R1/R2

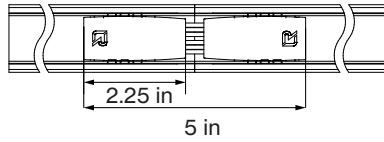


POWER FEED



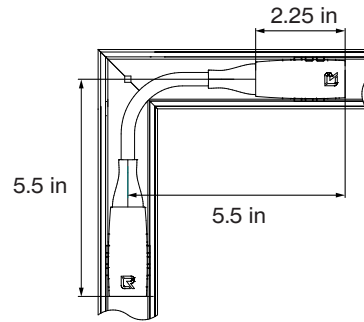
Insets cannot be placed on top of power feeds and electrical connectors.

ELECTRICAL CONNECTOR



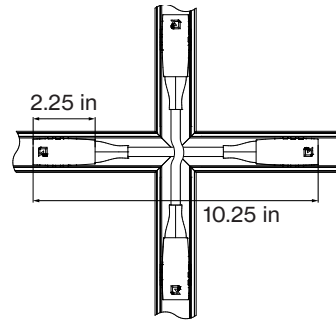
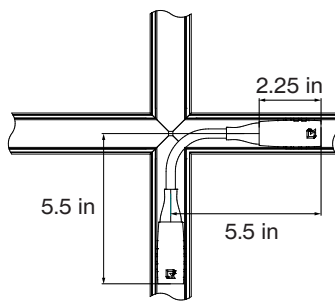
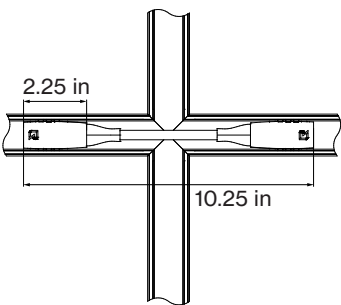
ELECTRICAL CONNECTOR

L-Configuration



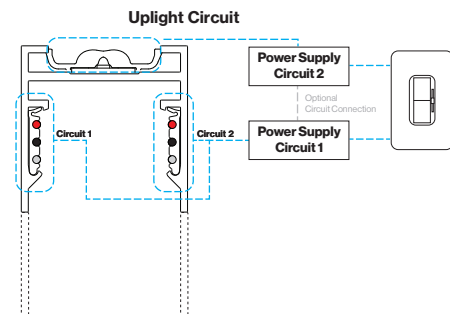
ELECTRICAL CONNECTOR

X-Configuration

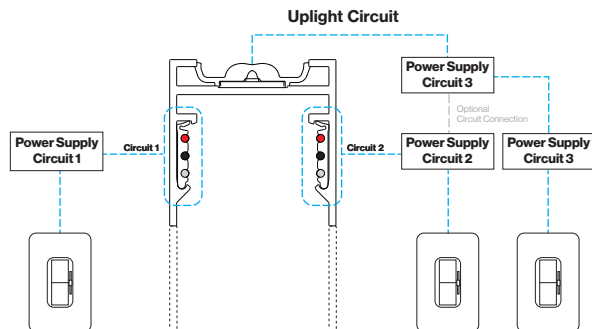


CIRCUIT DIAGRAM

Single Circuit with Uplight
(With options to control together)

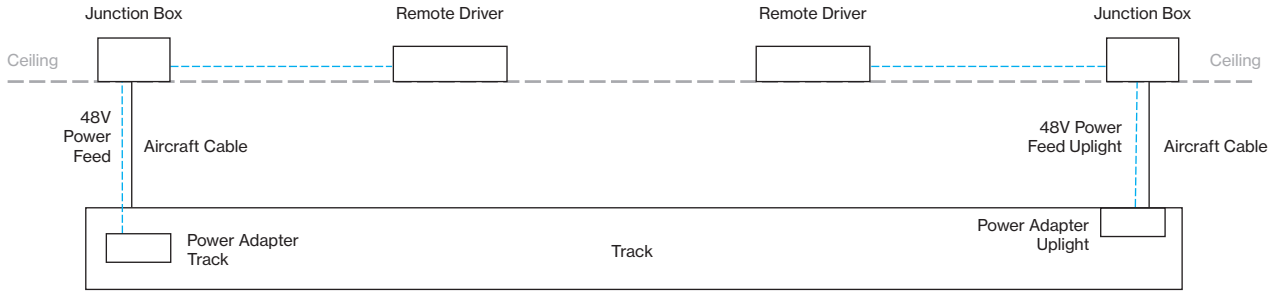


Two Circuit w/ Uplight



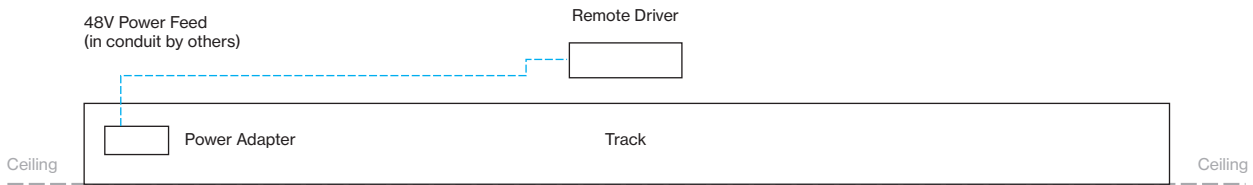
SYSTEM COMPONENTS (SIDE VIEW)

R1/R2 PDT W/ UPLIGHT

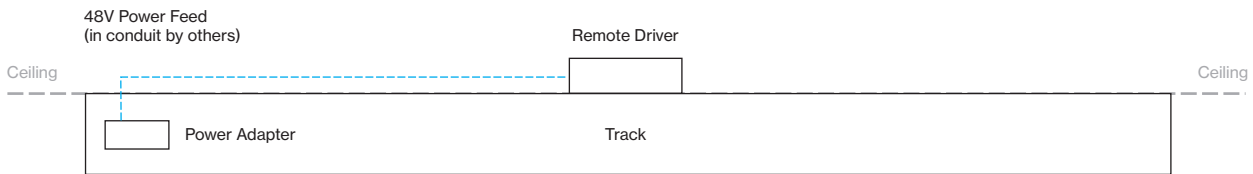


TRACK DIAGRAM (SIDE VIEW)

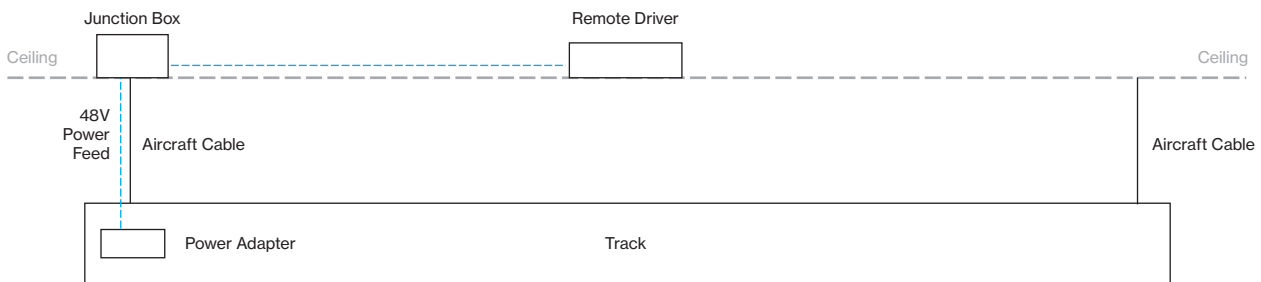
R1/R2 RTL



R1/R2 SUR



R1/R2 PDT



R3 PDT

